

# Spindle Brakes



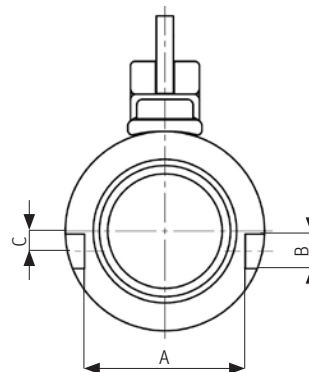
Accessories designed and produced directly by spindle manufacturer

# Spindle Brakes

Accessories for precise and sustainable running of spindles

Original accessories and spindle components are crucial in order to secure optimal running performance of the spindles and their longevity.

Novibra offers two types of spindle brakes: a universal U model and a R model, based on Rieter design. It is available with or without braking shoes.



	Braking diameters	Fixing dimensions		
<b>U model</b>	28 mm, 24 mm	A = 28 mm	B = 6 mm	C = 3.5 mm
<b>R model</b>	32 mm, 28 mm, 24 mm	A = 24.5 mm	B = 6 mm	C = 6 mm

## OUTSTANDING ADVANTAGES

### Short braking time

The perfect fit between the spindle and the spindle brake ensures the shortest braking time and thus, higher productivity.

### Reliable

Optimized material composition to improve reliability and durability of the brake

### Flexible

The replaceable braking shoes can easily be changed to fit a different diameter.

### Easy installation

Specifically designed for Novibra spindles, the brakes are perfectly matching and easy to install.



1. R28 spindle brake with braking shoes
2. U28 spindle brake with braking shoes
3. R32 spindle brake

#### Novibra Boskovice s.r.o.

Hrádkov 2188  
68001 Boskovice  
Czech Republic  
T +420 51 652 81 84  
F +420 51 652 81 88  
sales@novibra.com

The data and illustrations in this brochure and on the corresponding data carrier refer to the date of printing. Novibra reserves the right to make any necessary changes at any time and without special notice. Novibra systems and Novibra innovations are protected by patents.

3541-v1 en 2304